

Electrical Position Indicator

Construction

The GEMÜ 1232 electrical position indicator is suitable for linear valves with actuator strokes up to 20 mm (actuating travel). It has a corrosion resistant plastic housing and one or two inductive proximity switches. Switching rod and actuating spindle have a positive connection without axial play. The electrical connection is via cable gland.

Features

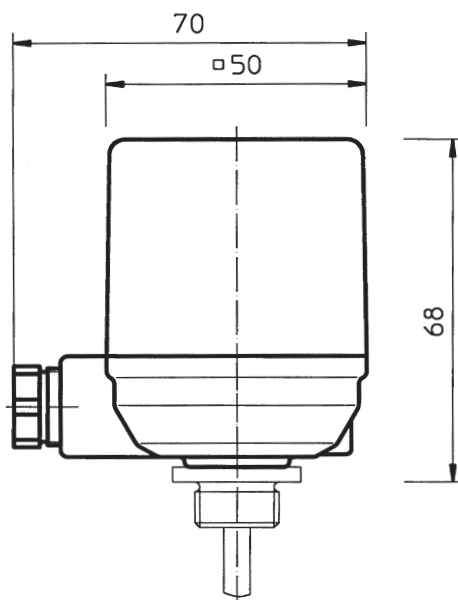
- Both proximity switches can be continuously and precisely adjusted, independently of each other, via threaded spindles
- Device can be rotated through 360°
- Customer-specified connectors available as an option

Advantages

- Simple mounting and retrofitting to GEMÜ linear actuators
- Mounting to other valve makes possible
- Compact design in a stable housing
- The switches are not subject to wear, contactless detection
- Protection class IP 65 to EN 60529



Dimensions - GEMÜ 1232 [mm]



Technical data

Operating conditions

Setting range of limit switch	2 - 20 mm continuous
Ambient temperature	-20° ... +60°C
Protection class	IP 65 EN 60529

Materials

Housing cover, Polysulfone	PSU
Housing base, Polypropylene 30% GF	PP
Operating spindle	1.4104
Operating spindle	1.4104
Damping piece	1.4104

Electrical connection

M 16 cable gland	1 x available
Cable diameter	4.5 ... 7 mm
Recommended cross section of wire	0.75 mm ²

Approvals

UL, UR (recognized)	UL 508
CSA, C22.2	No. 14-M91
For details see www.ul.com	

Switch

Standard


Operating voltage	10 - 30V DC
Rated voltage U _B	24V DC
On-load current	180 mA
Intrinsic current consumption, damped	≤ 80 mA
Intrinsic current consumption, undamped	≤ 44 mA
Voltage drop	≤ 2.5V
Switching frequency	1 kHz

Option with LED

Operating voltage	10 - 30V DC
Rated voltage U _B	24V DC
On-load current	180 mA
Intrinsic current consumption, damped	≤ 80 mA
Intrinsic current consumption, undamped	≤ 44 mA
Voltage drop	≤ 2.5 V
Switching frequency	1 kHz

Option for field bus connection with AS-Interface

Supply voltage

Operating voltage	26.5 to 31.6V DC
acc. to AS-Interface specification	
operation with yellow AS-Interface cable	

Signal inputs end position

"CLOSED" position	AS-Interface input	Port D1
"OPEN" position	AS-Interface input	Port D0

AS-Interface

Reverse battery protection	Standard
AS-Interface profile	S 3.F
I/O Code	3
ID-Code	F
AS-Interface certificate	22902

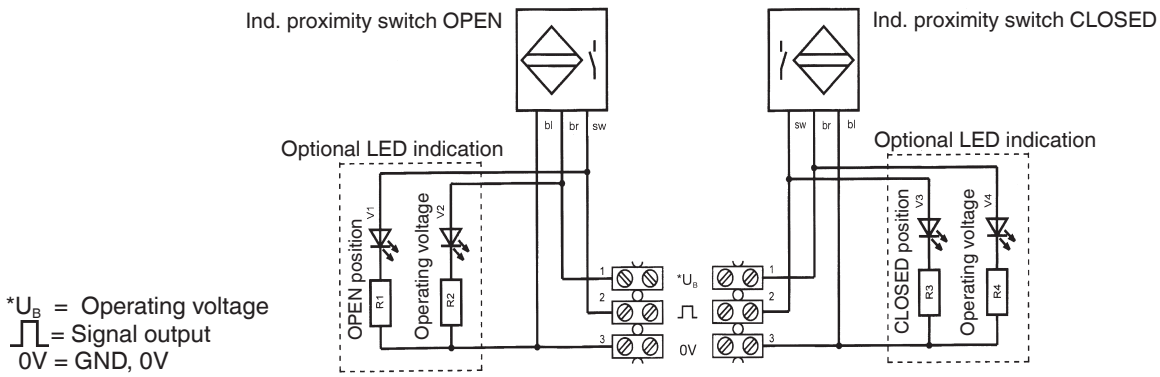
Connection

(operation with yellow AS-Interface cable)	
Connector	AS-Interface M12 plug

Accessories

Recomm. mating connector	GEMÜ 4180 AZ 01 01 01
Recomm. AS-Interface cable	GEMÜ 4170 AZ 01 01 01 00

Connection diagram 1232 PNP Code 303



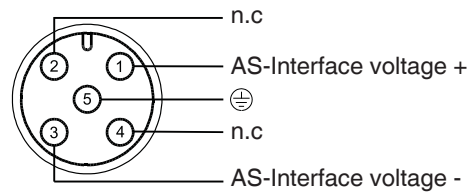
Connection diagram M12 plug, 4-pin, Code 304



PIN	Standard	Option with LED
1	L1/L+, supply voltage	L+, supply voltage ($U_B=10-30$ V DC)
2	Us, signal end position CLOSED	Us, signal end position CLOSED
3	N/L-, supply voltage	L-, supply voltage ($U_B=10-30$ V DC)
4	Us, signal end position OPEN	Us, signal end position OPEN

Connection diagram AS-Interface version, Code 312

Pin assignment:



Order data

Field bus	Code
Without	000
AS-Interface	A1

Switch	Code
3-wire proximity switch PNP	305
Other switches on request	

Function	Code
OPEN/CLOSED PNP	A30
OPEN PNP	A31
CLOSED PNP	A32
OPEN/CLOSED With LED, PNP only in field bus version 000	A10
OPEN With LED, PNP only in field bus version 000	A11
CLOSED With LED, PNP only in field bus version 000	A12

Electrical connection	Code
M16 cable gland	1101
M16 Skintop cable gland	1103
M12 plug, 4-pin	1110

Connection diagram	Code
Terminals	303
M12 plug, 4-pin; PNP (A3x)	304
AS-Interface version	312

Order example	1232	000	Z	A30	305	1101	303
Type	1232						
Field bus (code)		000					
Accessory			Z				
Function (code)				A30			
Switch (code)					305		
Electrical connection (code)						1104	
Connection diagram (code)							303

Please order mounting kit 1232S01Z... (spindle + mounting parts) separately with reference to the particular valve type.

Further electrical position indicators for valves with linear actuator
e.g. diaphragm and globe valves

GEMÜ 1215
Position indicator with microswitch



The GEMÜ 1215 single position indicator is suitable for linear actuated valves where it shows 'open' position only, or on GEMÜ type 667 where it shows 'closed' position only. The unit also has optical indication.

GEMÜ 1234 and 1235/1236
Self-learning position indicators



The GEMÜ 1234 and 1235/1236 electrical position indicators have an automated programme for setting open/closed. In addition the operating voltage and the end positions are indicated by light emitting diodes.

GEMÜ 1205
Position indicator with microswitch acc. to ATEX



The GEMÜ 1205 electrical position indicator has one or two microswitches for end position feedback which are mechanically adjustable. The device is suitable for installation in Ex-proof applications acc. to ATEX. GEMÜ 1205 is suitable for mounting to linear actuators with a max. stroke of 70 mm.

GEMÜ 1211 and 1231
Position indicators with proximity switch acc. to ATEX



The GEMÜ 1211 and 1231 electrical position indicators have one or two proximity switches for end position feedback which are mechanically adjustable. The devices are suitable for installation in Ex-proof applications acc. to ATEX. GEMÜ 1211 is suitable for mounting to linear actuators with a max. stroke of 70 mm. GEMÜ 1231 is suitable for mounting to linear actuators with a max. stroke of 20 mm.

GEMÜ 1201 and 1230
Position indicators with microswitch



The GEMÜ 1201 and 1230 electrical position indicators have one or two microswitches for end position feedback which are mechanically adjustable. GEMÜ 1201 is suitable for mounting to linear actuators with a max. stroke of 70 mm. GEMÜ 1230 is suitable for mounting to linear actuators with a max. stroke of 20 mm.

GEMÜ 1214
Position indicator with proximity switch



The GEMÜ 1214 electrical position indicator has one or two proximity switches for end position feedback which are mechanically adjustable. GEMÜ 1214 is suitable for mounting to linear actuators with a max. stroke of 70 mm.

Further electrical position indicators for valves with quarter turn actuator, e.g. butterfly and ball valves

GEMÜ 1225 - Position indicator with microswitch



The GEMÜ 1225 electrical position indicator is suitable for mounting to quarter turn actuators of GEMÜ butterfly valves DN 15-50 mm in PVC-U, brass and stainless steel. In addition to electrical indication of end positions via switches the device has an optical LED position indication as standard.

For further electrical position indicators, accessories and other products please see our Product Range catalogue and Price List. Contact GEMÜ.



GEMÜ® VALVES, MEASUREMENT
AND CONTROL SYSTEMS