

# Electrical Position Indicator with inductive proximity switch

## Construction

The GEMÜ 1214 electrical position indicator can be used for pneumatically operated linear actuators. GEMÜ 1214 has a corrosion resistant plastic housing and is designed for actuator strokes up to 70 mm. It has one or two inductive proximity switches with integrated LED indication. The position indicator spindle has a positive direct connection with the valve actuator without axial play. The electrical connection is via PG 13.5 cable gland.

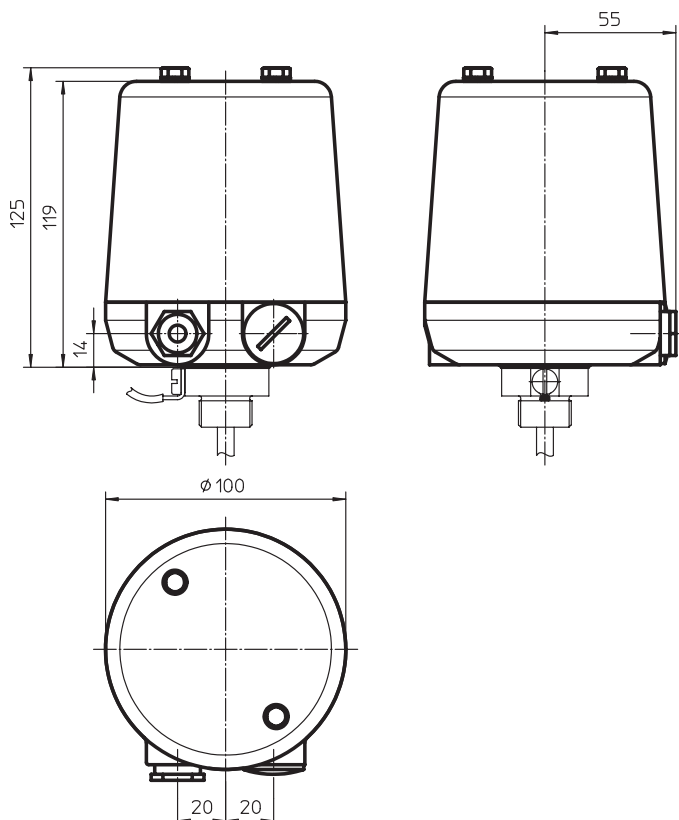
## Features

- Inductive proximity switch with LED indication
- Both proximity switches can be continuously and precisely adjusted, independently of each other, via threaded spindles
- Indicator can be rotated through 360°
- Customer-specified connectors available as an option

## Advantages

- Simple mounting and retrofitting to GEMÜ valves by means of a threaded rod
- Compact design in a stable housing
- The switches are not subject to wear, contactless detection
- Protection class IP 65 to EN 60529

## Dimensions [mm]



## Technical data

### Operating conditions

Setting range of limit switch	2 - 70 mm continuous
Ambient temperature	-20° to +60°C
Protection class	IP 65 EN 60529

### Inductive proximity switch

Operating voltage	10 - 30 V DC including residual ripple
Rated switching interval	5 mm ± 10%
No-load current	< 8 mA
Residual current	0.1 mA
Voltage drop under resistive load	< 2.5 V
Hysteresis	≤ 10%
Output capability of switching current	< 200 mA
Category	DC 13
Overload	short circuit-proof

### Materials

Housing cover	Polysulfone	PSU
Housing base	Polyamide, 25% glass fiber	PA 6.6
Guide piece		1.4305
Operating spindle		1.4104
Damping piece		1.4104

### Electrical connection

PG 13.5 cable gland	1 x available 1 x prepared
Cable diameter	6.5 to 12 mm
Recommended cross section of wire	0.75 mm <sup>2</sup>
Potential equalisation	stranded wire, yellow/green H 07 V-K 4.0

## Order data

Field bus	Code
Without	000

Function	Code
OPEN/CLOSED PNP	A30
OPEN PNP	A31
CLOSED PNP	A32

Switches	Code
PNP 3-Draht	304
Further switches on request	

Electrical connection	Code
PG 13.5	3001
Skintop cable gland	3003
M12 plug; 4-pin	3011
Further connections on request	

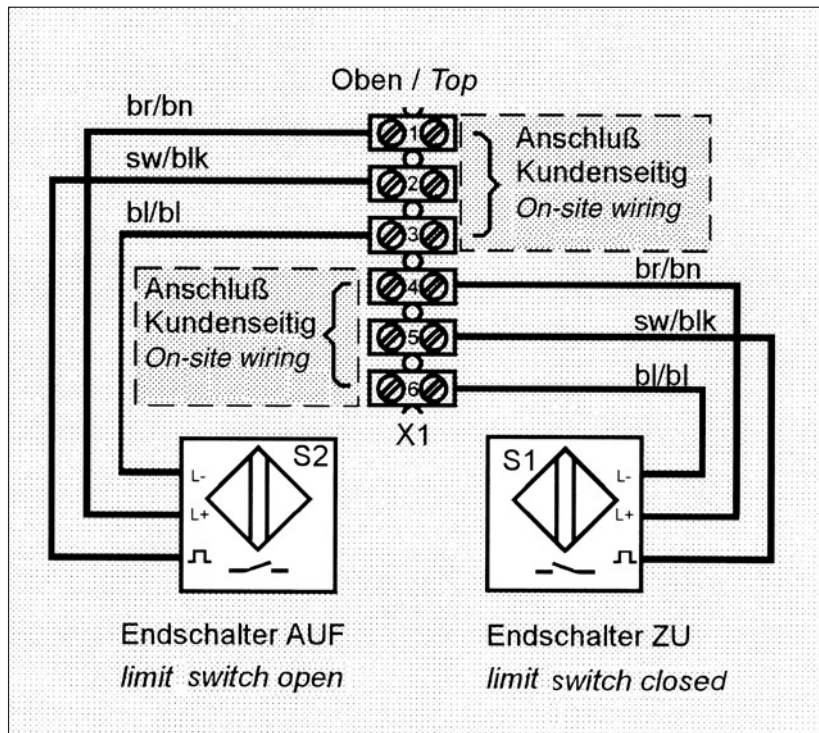
Connection diagram	Code
Terminal block	301
M12 plug; 4-pin	309

**Please order mounting kit 1214S01Z... separately with reference to the particular valve type!**

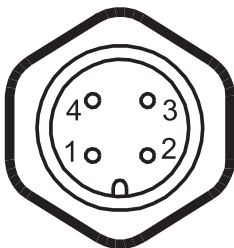
When ordering please specify the complete valve type key, e. g. Type 1214 000 Z A30 304 3001 301 for mounting to GEMÜ valve 690/20 D 0114-1

Order data	1214	000	Z	A30	304	3001	301
Type	1214						
Field bus (code)		000					
Accessories			Z				
Function (code)				A30			
Switch (code)					304		
Electrical connection (code)						3001	
Connection diagram (code)							301

## Connection diagram (Code 301)



## Connection diagram M12 plug (Code 309)



X1

PIN	Standard
1	L1/L+, supply voltage
2	Us, signal end position CLOSED
3	N/L-, supply voltage
4	Us, signal end position OPEN

## Further electrical position indicators for valves with linear actuator e.g. diaphragm and globe valves

### GEMÜ 1215 Position indicator with microswitch



The GEMÜ 1215 single position indicator is suitable for linear actuated valves where it shows 'open' position only, or on GEMÜ type 667 where it shows 'closed' position only. The unit also has optical indication.

### GEMÜ 1234 and 1235/1236 Self-learning position indicators



The GEMÜ 1234 and 1235/1236 electrical position indicators have an automated programme for setting open/closed. In addition the working voltage and the end positions are indicated by light emitting diodes.

### GEMÜ 1205 Position indicator with microswitch acc. to ATEX



The GEMÜ 1205 electrical position indicator has one or two microswitches for end position feedback which are mechanically adjustable. The device is suitable for installation in Ex-proof applications acc. to ATEX. GEMÜ 1205 is suitable for mounting to linear actuators with a max. stroke of 70 mm.

### GEMÜ 1232 Position indicators with proximity switch



The GEMÜ 1232 electrical position indicator has one or two proximity switches for end position feedback which are mechanically adjustable. GEMÜ 1232 is suitable for mounting to linear actuators with a max. stroke of 20 mm.

### GEMÜ 1201 and 1230 Position indicators with microswitch



The GEMÜ 1201 and 1230 electrical position indicators have one or two microswitches for end position feedback which are mechanically adjustable. GEMÜ 1201 is suitable for mounting to linear actuators with a max. stroke of 70 mm. GEMÜ 1230 is suitable for mounting to linear actuators with a max. stroke of 20 mm.

### GEMÜ 1211 and 1231 Position indicators with proximity switch acc. to ATEX



The GEMÜ 1211 and 1231 electrical position indicators have one or two proximity switches for end position feedback which are mechanically adjustable. The devices are suitable for installation in Ex-proof applications acc. to ATEX. GEMÜ 1211 is suitable for mounting to linear actuators with a max. stroke of 70 mm. GEMÜ 1231 is suitable for mounting to linear actuators with a max. stroke of 20 mm.

## Further electrical position indicators for valves with quarter turn actuator, e.g. butterfly and ball valves

### GEMÜ 1225 - Position indicator with microswitch



The GEMÜ 1225 electrical position indicator is suitable for mounting to quarter turn actuators of GEMÜ butterfly valves DN 15-50 mm in PVC-U, brass and stainless steel. In addition to electrical indication of end positions via switches the device has an optical LED position indication as standard.

For further electrical position indicators, accessories and other products please see our Product Range catalogue and Price List. Contact GEMÜ.



**GEMÜ**® VALVES, MEASUREMENT  
AND CONTROL SYSTEMS